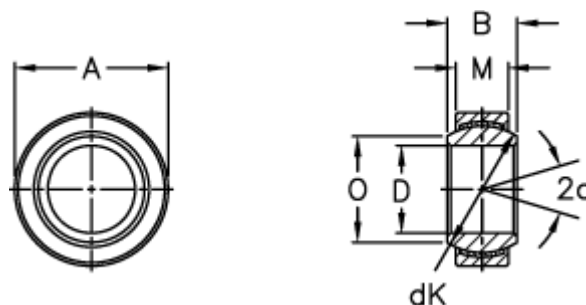


Article number: 03442020

Description: Fluro Rod end GE 20EC-NIRO

Measures



A	= 35 0 -0,011	Tilt angle = 9
B	= 16	Weight = 61
D	= 20 0 -0,010	
dK	= 29	
Dynamic load C (kN)	= 54	
M	= 12	
O	= 24.2	
Static load C0 (kN)	= 90.5	